



IAI America, Inc. www.intelligentactuator.com
1261 Hamilton Parkway Itasca, IL 60143
Tel: 800.944.0333 – 630.467.9900 Fax: 630.467.9912

TIPS-100010
February 17, 2010

Subject: Safety Category 3 & 4 compliant external wiring example

Please see the following ACON, PCON, SCON, ASEL, PSEL & SSEL controller external wiring drawings which meet the requirements for category 3 & 4.

There are two types of drawings for each controller.

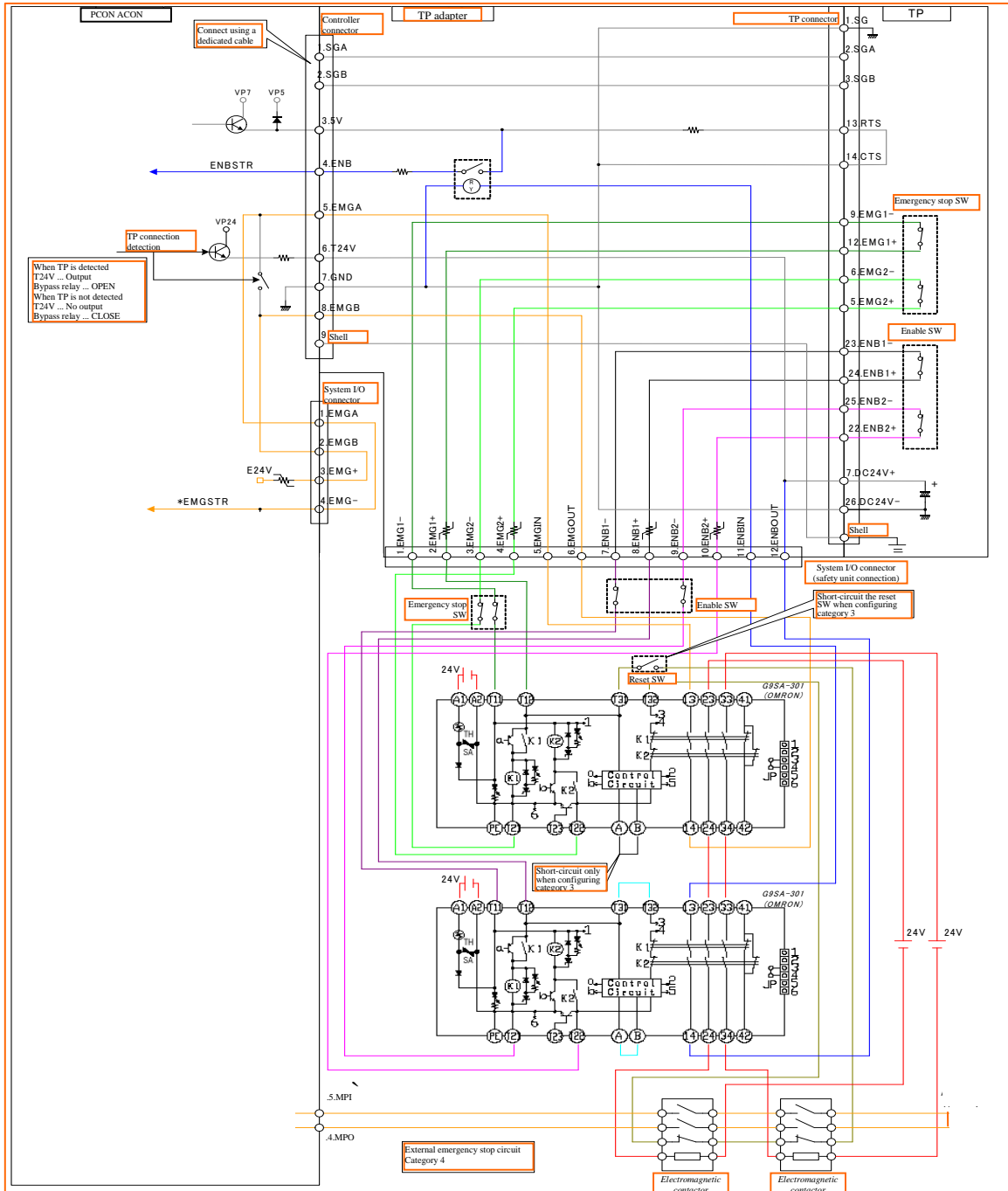
1. Safety category 3 or 4 with TP Adapter and a Category 4 (ANSI) Teach Pendant
2. Safety category 3 or 4 without a Category 4 (ANSI) Teach Pendant
(This does not mean that you can not use a Teaching Pendant or PC Software, but rather the system will not meet the category 3 or 4 compliance when they are used)

Drawing index:

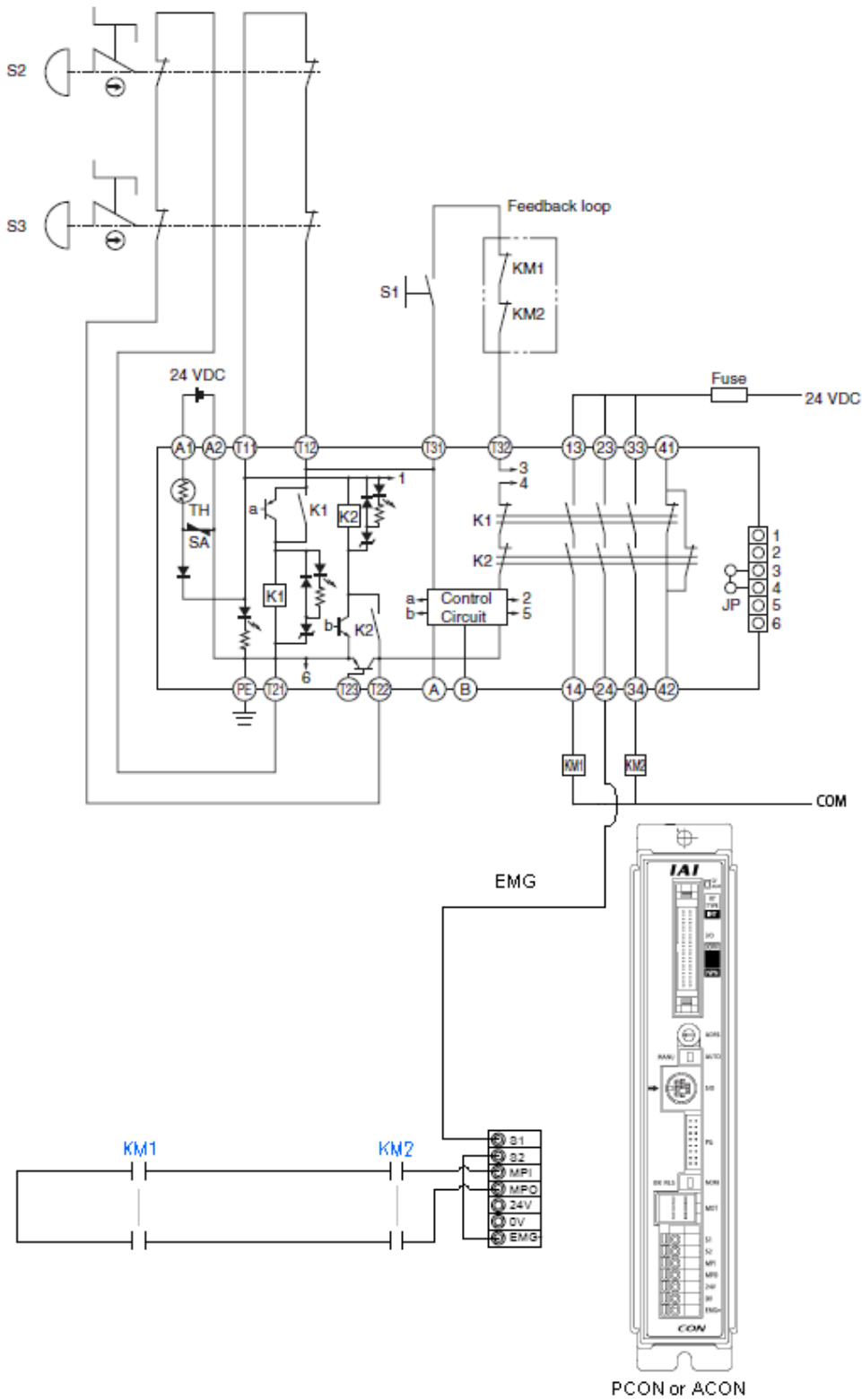
1. PCON & ACON Safety Category 3 or 4 with TP Adapter and a Category 4 (ANSI) Teach Pendant
2. PCON & ACON Safety Category 3 or 4 without a Category 4 (ANSI) Teach Pendant
3. SCON Safety Category 3 or 4 with TP Adapter and a Category 4 (ANSI) Teach Pendant
4. SCON & SSEL Safety Category 3 or 4 without a Category 4 (ANSI) Teach Pendant
5. SSEL Safety Category 3 or 4 with TP Adapter and a Category 4 (ANSI) Teach Pendant
6. SSEL Safety Category 3 or 4 without a Category 4 (ANSI) Teach Pendant
(Same drawing with item 4.)
7. ASEL & PSEL Safety Category 3 or 4 with TP Adapter and a Category 4 (ANSI) Teach Pendant
8. ASEL & PSEL Safety Category 3 or 4 without a Category 4 (ANSI) Teach Pendant

Revision History	Issue Date	Note	Issued by
TIPS-100010	February 17, 2010	Initial Issue	Peter Langas / Harry Takahashi

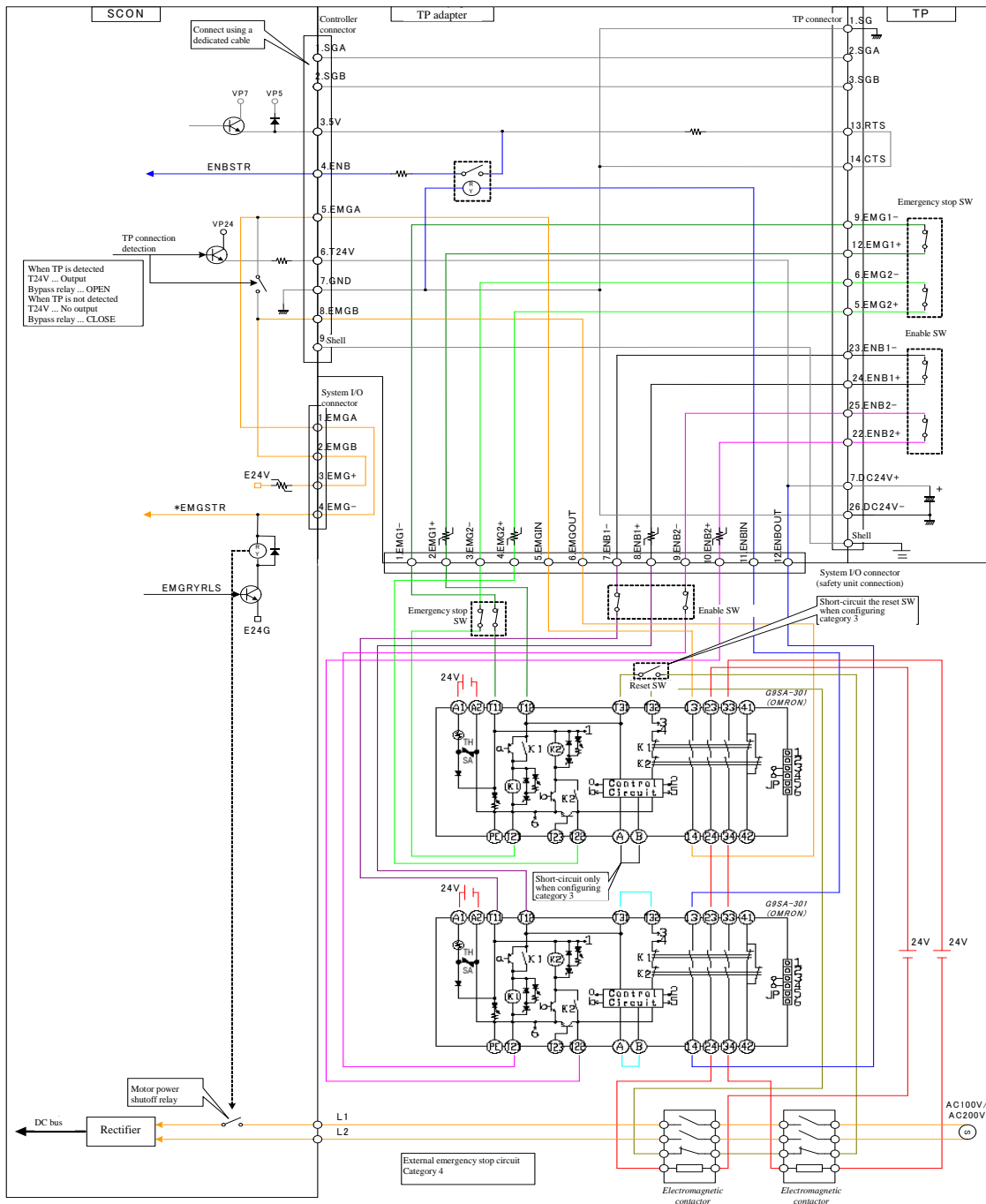
1. PCON & ACON Safety Category 3 or 4 with TP Adapter and a Category 4 (ANSI) Teach pendant



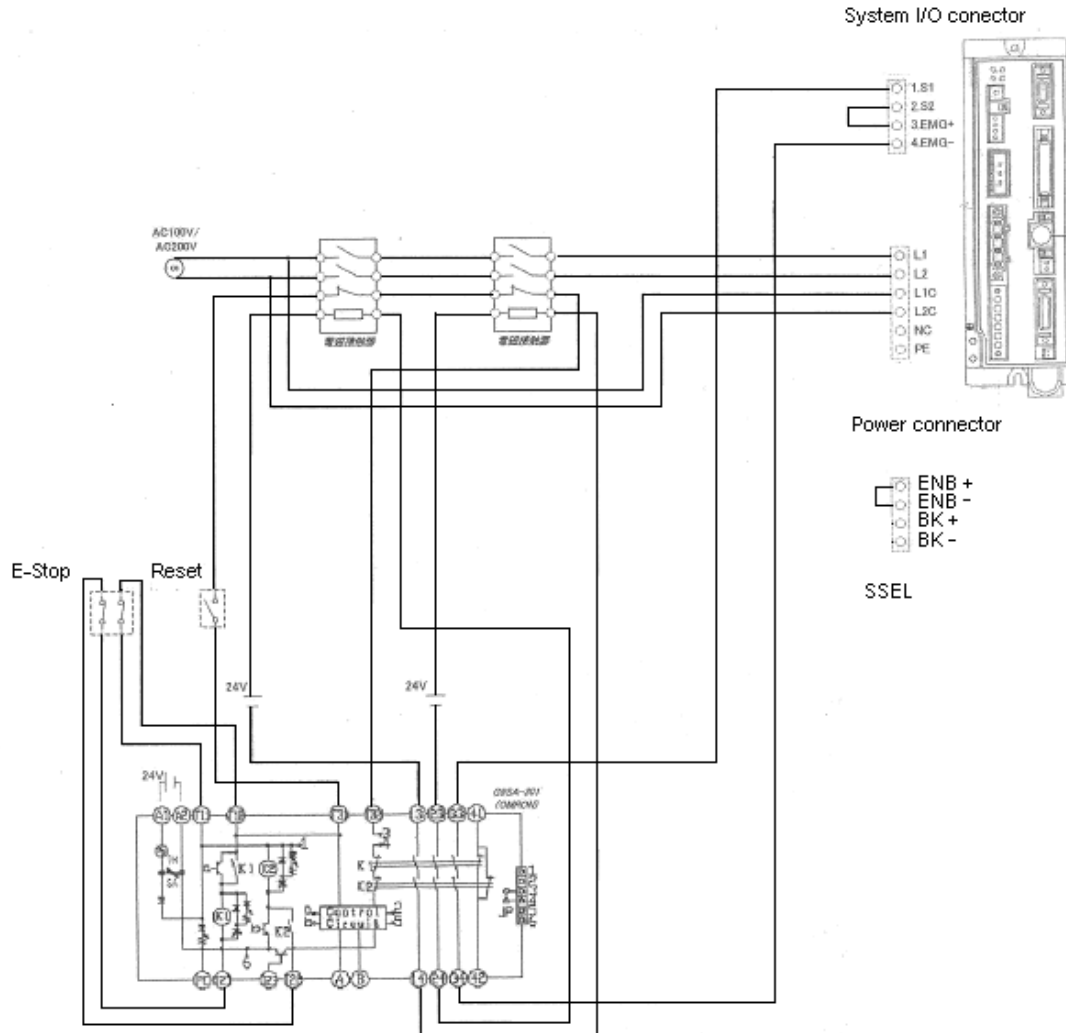
2. PCON & ACON Safety Category 3 or 4 without a Category 4 (ANSI) Teach pendant



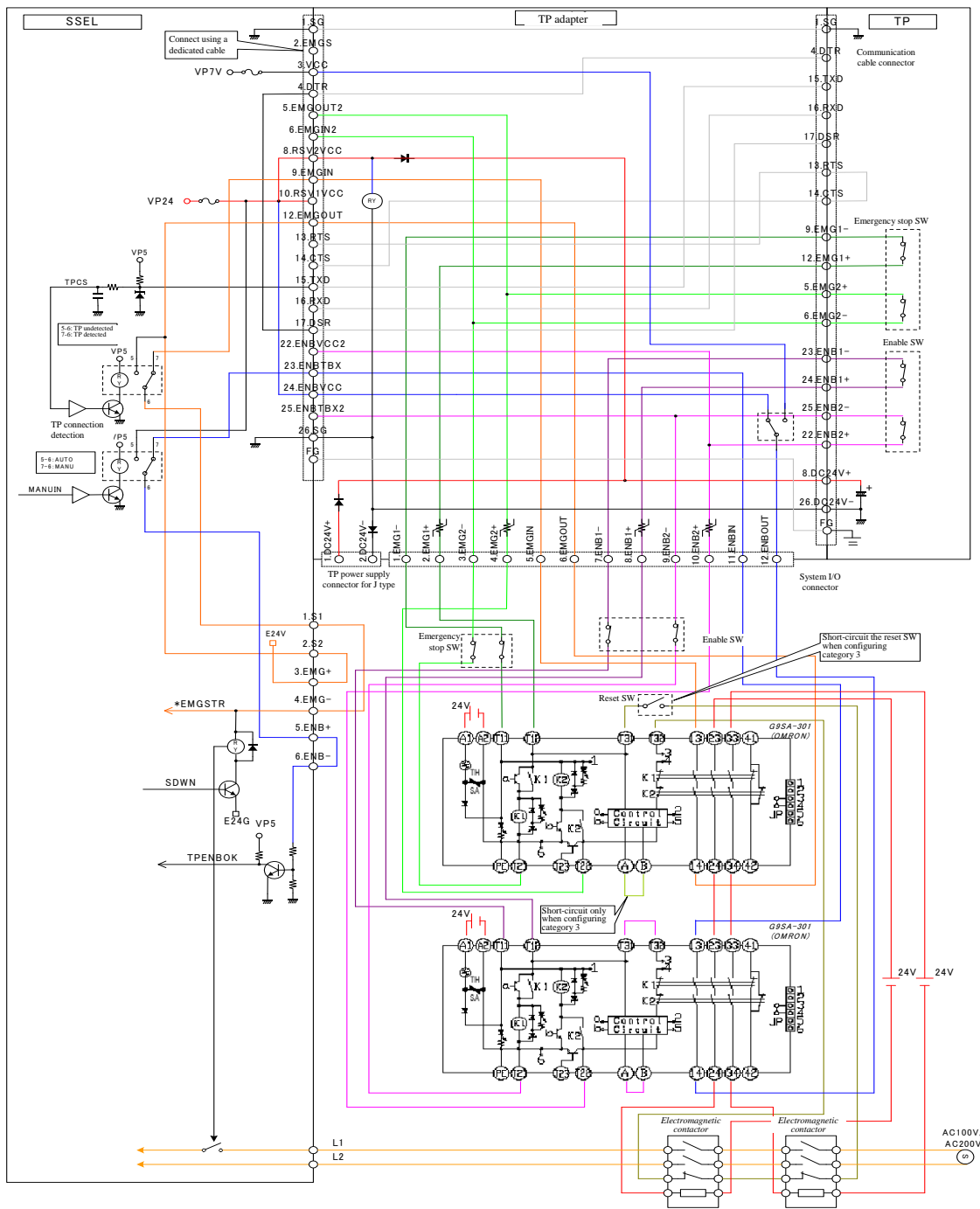
3. SCON Safety Category 3 or 4 with TP Adapter and a Category 4 (ANSI) Teach pendant



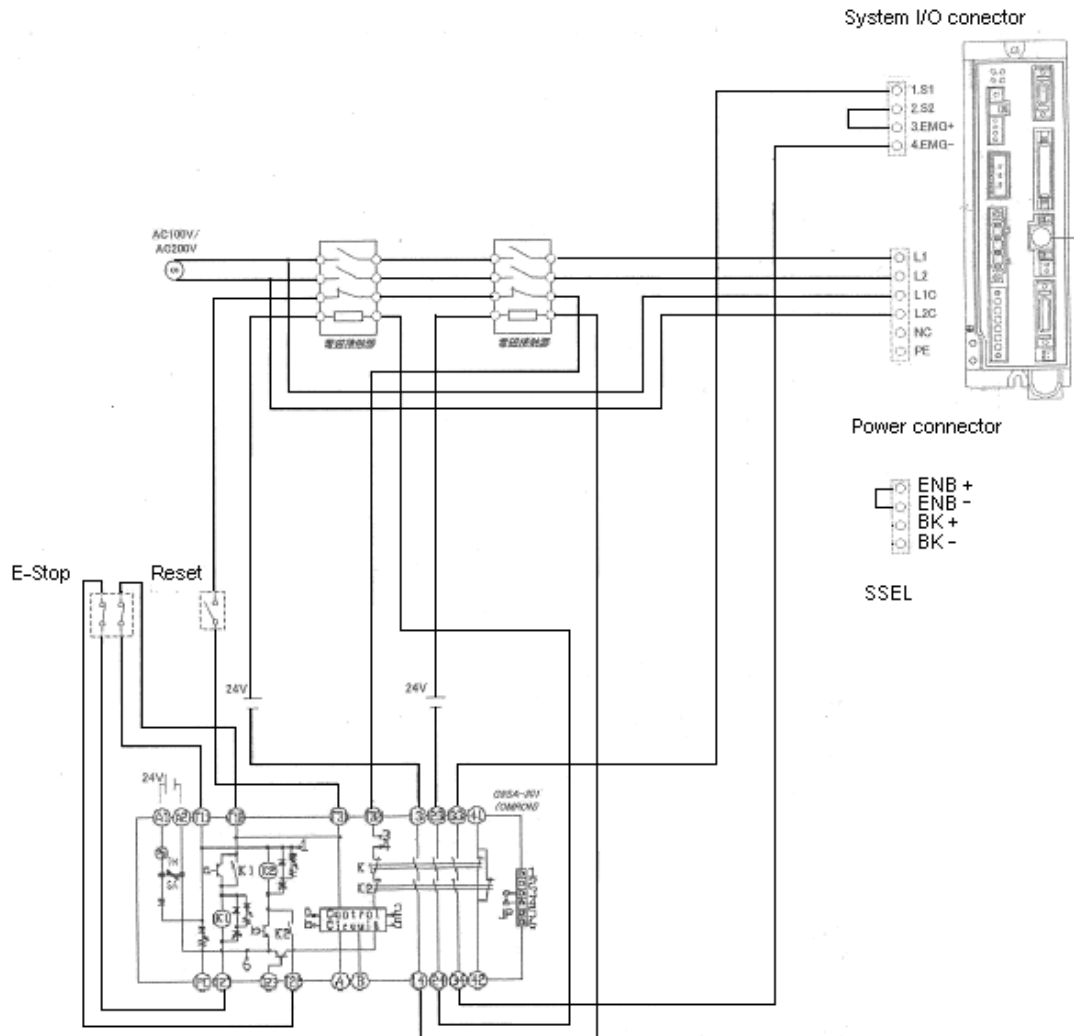
4. SCON & SSEL Safety Category 3 or 4 without a Category 4 (ANSI) Teach pendant



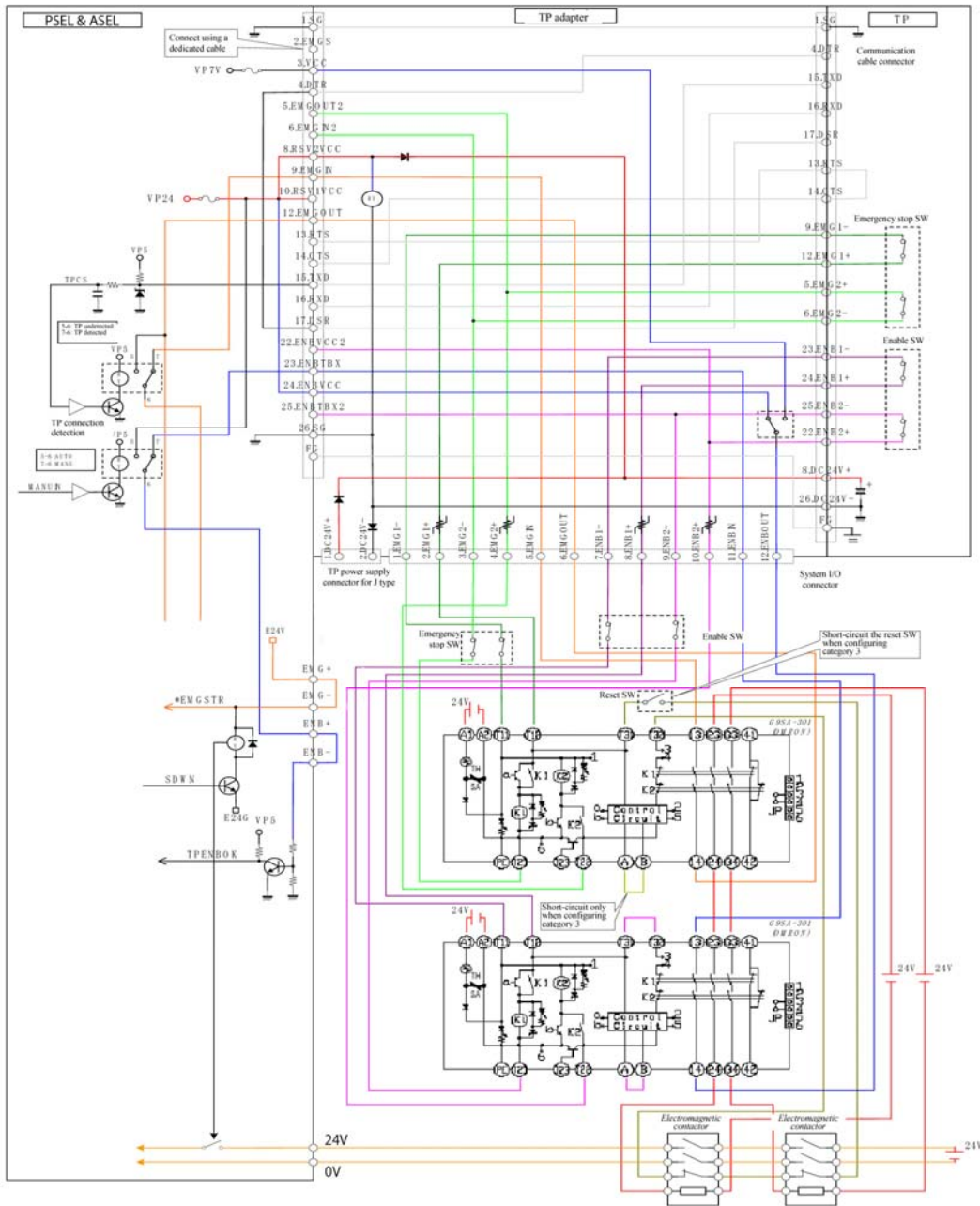
5. SSEL Safety Category 3 or 4 with TP Adapter and a Category 4 (ANSI) Teach pendant



6. SSEL Safety Category 3 or 4 without a Category 4 (ANSI) Teach Pendant
(Same drawing with item 4.)



7. ASEL & PSEL Safety Category 3 or 4 with TP Adapter and a Category 4 (ANSI) Teach pendant



8. PSEL & ASEL Safety Category 3 or 4 without a Category 4 (ANSI) Teach pendant

